

ST1370KWH-1000

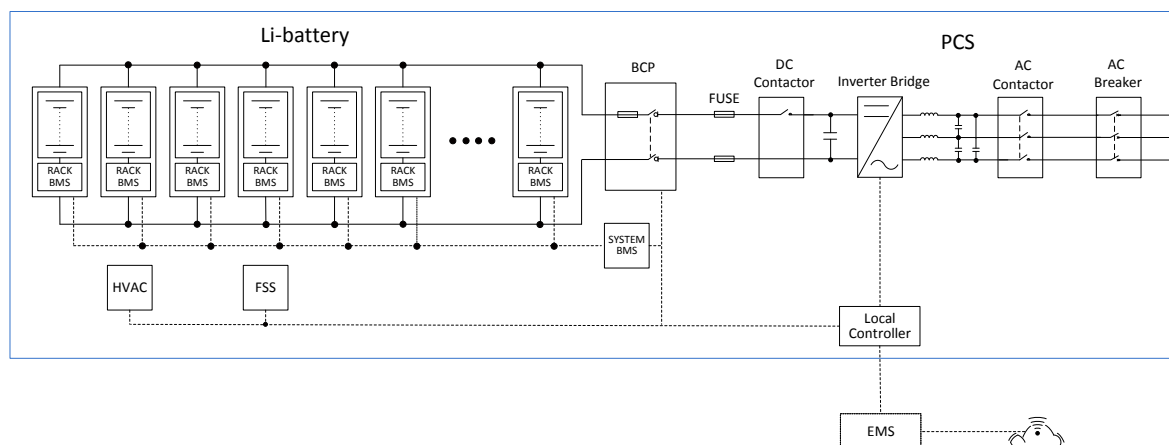
Storage System



SYSTEM FEATURES

- All-in-one package to allow easy transportation and minimized on-site labor
- High efficiency system integrated with reliable lithium battery
- Integrated local controller to enable unified communication
- Integrated HVAC and FSS to ensure system safety and maximize system efficiency
- Advanced PCS technology for easy capacity expansion

CIRCUIT DIAGRAM



System Type	ST1370KWH-1000
Battery Data	
Cell type	Samsung SDI Mega M2F, 3.68V/94Ah
Configuration of system	264S15P
Battery capacity (BOL)	1,370 kWh
Battery voltage range	844 ~ 1,095 V
BMS communication interfaces	RS485, Ethernet
BMS communication protocols	Modbus RTU, Modbus TCP
AC Data	
Nominal AC power	1,000 kVA
Max. AC power	1,100 kVA
Max.THDr of current	< 3 % (at nominal power)
DC component	< 0.5 % (at nominal power)
Nominal grid voltage	540 V
Grid voltage range	475 ~ 594 V
Power factor	> 0.99 (at nominal power)
Adjustable power factor	0.8 leading ~ 0.8 lagging
Nominal grid frequency	50 Hz
Grid frequency range	45 ~ 55 Hz
Isolation method	Transformerless
General Data	
Dimensions (W * H * D)	6,058 * 2,896 * 2,438 mm / 238.5" * 114.0" * 96.0"
Weight (with / without battery)	19.5 T / 9.5 T 42,990 lbs / 20,944 lbs
Degree of protection	IP54 / NEMA 3R
Operating temperature range	-30 to 50 °C / -22 to 122 °F
Relative humidity	0 ~ 95 % (non-condensing)
Max. working altitude	3,000 m (> 2,000 m derating) 9,843 ft (> 6,561 ft derating)
Cooling concept of battery chamber	Heating, Ventilation and Air Conditioning
Cooling concept of PCS chamber	Temperature controlled forced air cooling
Fire suppression system of battery unit	FM-200 extinguishment system
Communication interfaces	RS485, Ethernet
Communication protocols	Modbus RTU, Modbus TCP, IEC 104
Certificates	TÜV

