

ST2192KWH-1000

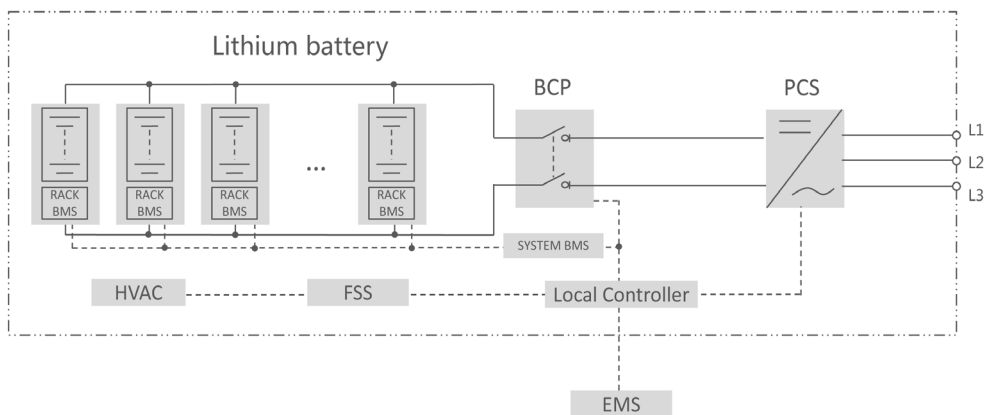
Storage System



SYSTEM FEATURES

- All-in-one design, easy for transportation, installation and maintenance
- Integrated with local controller, HVAC and FSS to enable unified communication, ensure system safety and maximize system efficiency

CIRCUIT DIAGRAM



System Type	ST2192KWH-1000
Battery Data	
Cell type	Samsung SDI Mega E2, 3.68V/94Ah
Configuration of system	264S24P
Battery capacity (BOL)	2,192 kWh
Battery voltage range	844 ~ 1,095 V
BMS communication interfaces	RS485, Ethernet
BMS communication protocols	Modbus RTU, Modbus TCP
AC Data	
Nominal AC power	1,000 kVA
Max. AC power	1,100 kVA
Max.THDr of current	< 3 % (at nominal power)
DC component	< 0.5 % (at nominal power)
Nominal grid voltage	540 V
Grid voltage range	475 ~ 594 V
Power factor	> 0.99 (at nominal power)
Adjustable power factor	0.8 leading ~ 0.8 lagging
Nominal grid frequency	60 Hz
Grid frequency range	55 ~ 65 Hz
Isolation method	Transformerless
General Data	
Dimensions (W * H * D)	9,125 * 2,896 * 2,438 mm / 359.3" * 114.0 * 96.0"
Weight (with / without battery)	28 T / 12 T 61,729.0 lbs / 26,455.0 lbs
Degree of protection	IP54 / NEMA 3R
Operating temperature range	-30 to 50 °C / -22 to 122 °F
Relative humidity	0 ~ 95 % (non-condensing)
Max. working altitude	3,000 m (> 2,000 m derating) 9,843 ft (> 6,561 ft derating)
Cooling concept of battery chamber	Heating, Ventilation and Air Conditioning
Cooling concept of PCS chamber	Temperature controlled forced air cooling
Fire suppression system of battery unit	FM-200 extinguishment system
Communication interfaces	RS485, Ethernet
Communication protocols	Modbus RTU, Modbus TCP, IEC 104
Compliance	UL9540